

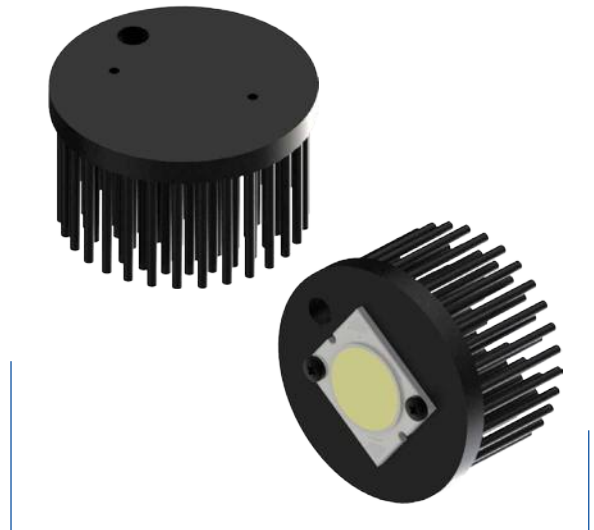
MechaTronix in LED

LPF5030-BRI-ESR Bridgelux LED ES Square Array Heat Sink ø50mm



Features & Benefits

- Designed for Bridgelux LED ES Square Array
- Diameter 50mm base – height 30mm
- Thermal resistance Rth heat sink 6.9°C/W
- Required Rth according Bridgelux datasheets at Tamb 40°C
- BXRA-XX0800/0950/1100:5.43°C/W (Tc105°)
- Specific mounting pattern 2xM2.5 + cable guidance hole



Order Information



Example : LPF5030-BRI-ESR-B-1

LPF5030-BRI-ESR - **1** - **2**

- 1** Anodising color
 "B" - Black Anodised
 "C" - Clear Anodised
 "Z" - Custom (specify)
- 2** Mounting Options - see graphics for details
 Combinations available
 Ex. order code - 13
 means option 1 and 3 combined

MOUNTING OPTION	THREAD	THREAD DEPTH
NONE/BLANC	NONE	NONE
1	M8 x 1	5mm MIN.
2	#5/16-24 UNC	0.197" MIN.
3	M50 x 2	Base contour

MechaTronix in LED

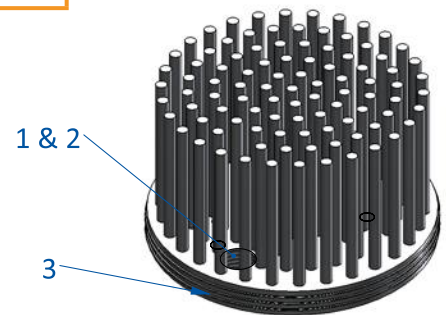
LPF5030-BRI-ESR Bridgelux LED ES Square Array Heat Sink $\phi 50\text{mm}$



Product Details

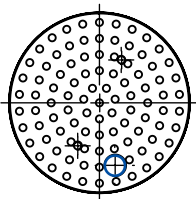
	Total Height ^{mm}	Rth($^{\circ}\text{C}/\text{W}$)	Volume ^{mm³}	Cooling Surface ^{mm²}	Weight ^{gr}
LPF5030-BRI-ESR	30.00	6.9	17261.46	20038.01	46.61

Mounting Options



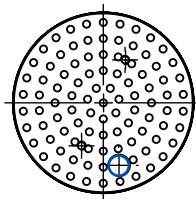
Notes:

1. MechaTronix reserves the right to change products or specifications without prior notice.
2. Mentioned models are an extraction of the full product range. For specific mechanical adaptations please contact MechaTronix.
3. All these types are made by forging process from highly conductive aluminum type AL1070 with a typical Thermal Conductivity of 209W/m-K.



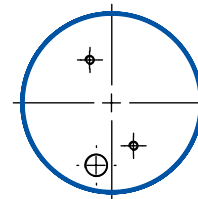
1 Mechanical version
Cable hole tapping

M8x1
Depth: 5mm



2 Mechanical version
Hole tapping

5/16-24 UNC
Depth: 0.197"

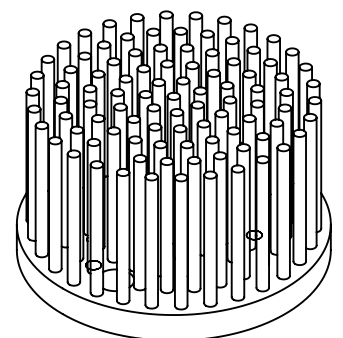
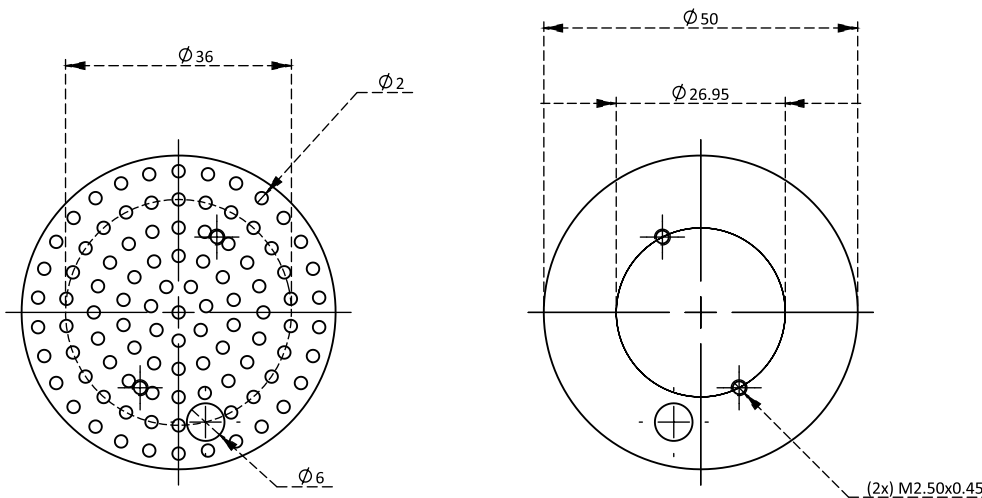


3 Mechanical version
M50x2

Screw thread around
base contour

Drawings & Dimensions

Example : LPF5030-BRI-ESR



MechaTronix in LED

LPF5030-BRI-ESR Bridgelux LED ES Square Array Heat Sink ϕ 50mm

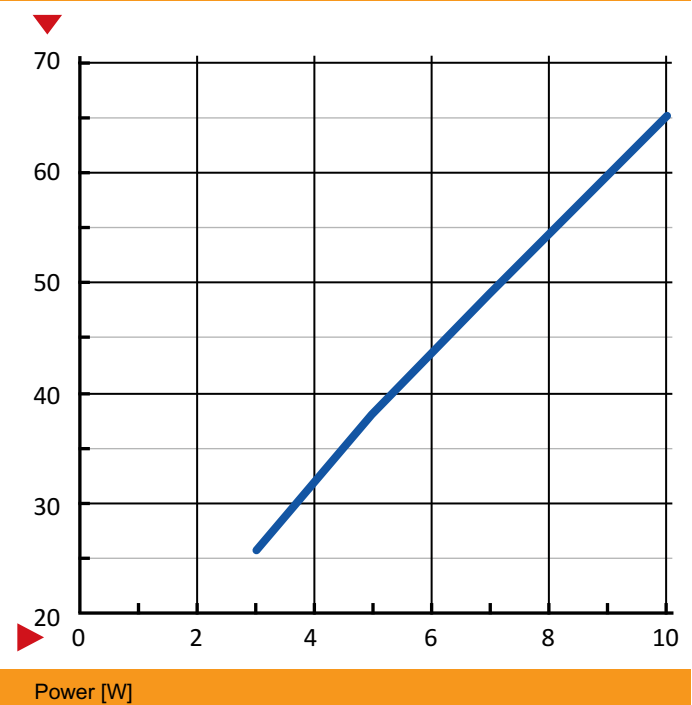


Thermal Data

Heat sink base to ambient thermal resistance, R_{hs-amb} [K/W]

Power (W)	LPF5030-BRI-ESR
3	8.8
5	7.6
7	7.0
10	6.4
$R_{th Av}$	6.9

Heat sink to ambient temperature difference [$^{\circ}$ C]



Spreading resistance, R_{sp} [K/W]

Base thickness	Ratio of light engine (LE) area over heat sink base area, ALE/Ahs [%]	t=2mm	t=3mm	t=5mm	t=10mm
		1%	0.87	0.61	0.41
	3%	0.68	0.47	0.30	0.20
	5%	0.54	0.37	0.24	0.15
	8%	0.44	0.30	0.19	0.12
	11%	0.36	0.24	0.15	0.09
	20%	0.24	0.17	0.10	0.06
	32%	0.16	0.11	0.07	0.04
	62%	0.06	0.04	0.03	0.01

Heat sink base spreading resistance, R_{sp} [K/W], based on base thickness, t

